

### Application

Model FD-M150 is approved for use in walls, floors and partitions with fire resistance ratings less than 3 hours. This model carries a 1½ hour UL fire damper label. UL 555 classifies static rated fire dampers for use in HVAC systems that are automatically shut down in the event of fire.

### Ratings

UL555 Fire Resistance Rating  
Fire Rating: 1 1/2 hours

Construction	Standard	Optional
Frame Material	Galvanized Steel*	-
Frame Depth	3 11/16 in. (94mm)	-
Blade Material	Galvanized steel*	-
Closure Spring	Stainless Steel	-
Fusible Link	165°F (74°C)	212°F or 286°F (100°C) or (141°C)
Mounting	Vertical	Horizontal
* in gauges required by UL listing R-13317		

### Optional Features

- Sealed transitions and sleeves
- Security Bars
- One piece retaining angles (POC)
- Transitions (B, B2, C, CO, CR, R)

### Installation

All fire damper installations require the use of sleeves, angles and methods described in Greenheck Fire Damper Installation Instructions #464089, included with every damper shipment. Sleeves can be field fabricated or factory furnished as a complete damper/sleeve assembly. See Factory Sleeve Option below for details.

### Factory Sleeve Option

FD-M150 Fire Dampers are available in factory furnished sleeves. Sleeves are galvanized steel and are available in 1.0mm - 1.5mm thicknesses and lengths up to 914mm.

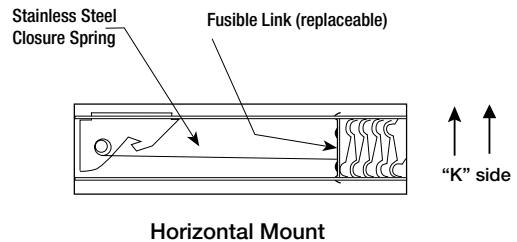
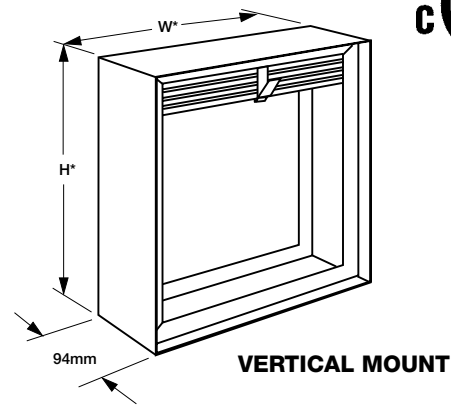
“K” dimension specifies location of damper within the sleeve. Minimum is 102mm, maximum is “L” less 102mm, which allows for mounting angle installation and duct connection at each end of sleeve. If “K” dimension is not specified, it will be provided as one half of “L” dimension (damper centered in sleeve).

Horizontal dampers must be installed with the “K” dimension on the bottom side.

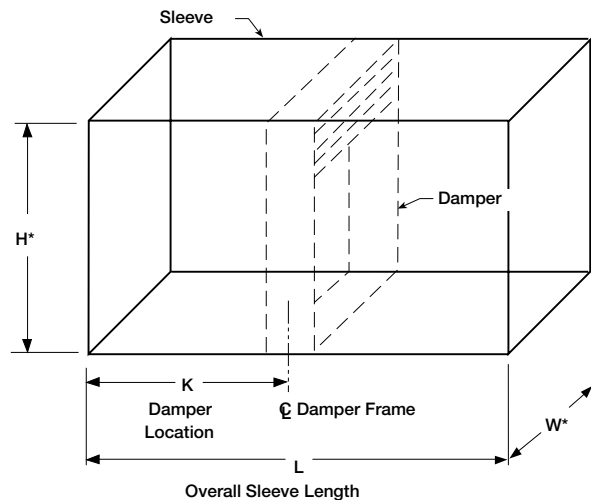
Model FD-M150 meets the requirements for fire dampers established by:

**National Fire Protection Association**  
(NFPA Standards 80, 90A & 101)  
**IBC International Building Codes**

**“UL CLASSIFIED (see complete marking on product)”**  
**“UL CLASSIFIED to Canadian safety standards (see complete marking on product)”**  
Standard 555 (Listing #R13317)



\* These dimensions are furnished approximately 6mm undersize. (Add sleeve thickness for overall sleeved damper dimension)

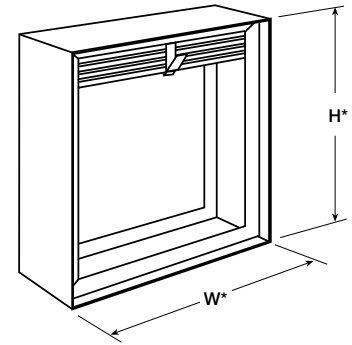


# SIZING DATA

# FD-M150 TYPE A

Dampers larger than maximum single section size are supplied in 2 or more sections of equal size. If ordered with a factory sleeve, multi-section dampers are factory assembled ready for installation. If ordered without a factory sleeve, multi-section dampers require field assembly. (See Greenheck Fire Damper Installation Instructions #464089)

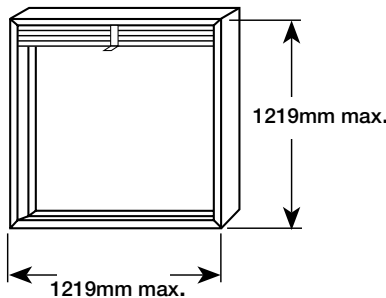
The following chart and illustrations show minimum and maximum damper section size and assembly configurations for multi-section dampers.



Inches (mm)	Type A		Type B	
	Minimum	Maximum	Minimum	Maximum
Single Section Vertical	4 x 4 (102 x 102)	48 x 48 (1219 x 1219)	4 x 3 (102 x 76)	48 x 42 (1219 x 1067)
Multi Section Vertical*	NA	96 x 48 or 120 x 40 (2438 x 1219 or 3048 x 1016)	NA	96 x 42 or 120 x 35 (2438 x 1067 or 2048 x 889)
Single Section Vertical	4 x 4 (102 x 102)	37 x 37 (940 x 940)	4 x 3 (102 x 76)	37 x 32 (940 x 813)
Multi Section Vertical*	NA	74 x 74 (1880 x 1880)	NA	74 x 69 (1880 x 1753)
Single Section Horizontal	4 x 4 (102 x 102)	48 x 48 (1219 x 1219)	4 x 3 (102 x 76)	48 x 42 (1219 x 1067)
Multi Section Horizontal*	NA	96 x 48 or 120 x 40 (2438 x 1219 or 3048 x 1016)	NA	96 x 42 or 120 x 35 (2438 x 1067 or 3048 x 889)

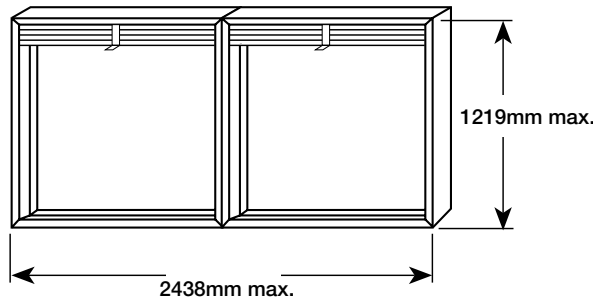
\*Consult factory for number of sections.

## ① Maximum Single Section Dimensions



## ② Multi-Section Limitations

Maximum height is 1219mm when width is 2438mm or less.

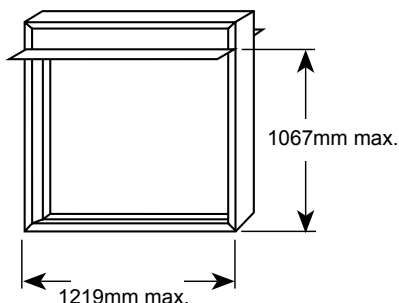


# FD-M150 Type B

Dampers larger than maximum single section size are supplied in 2 or more sections of equal size. If ordered with a factory sleeve, multi-section dampers are factory assembled ready for installation. If ordered without a factory sleeve, multi-section dampers require field assembly. (See Greenheck Fire Damper Installation Instructions #464089)

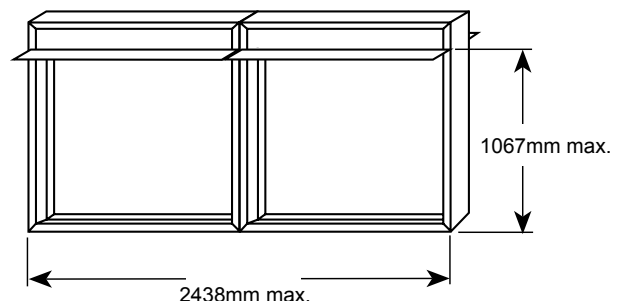
The following chart and illustrations show minimum and maximum damper section size and assembly configurations for multi-section dampers.

## ① Maximum Single Section Dimensions



## ② Multi-Section Limitations

Maximum height is 1067mm when width is 2438mm or less



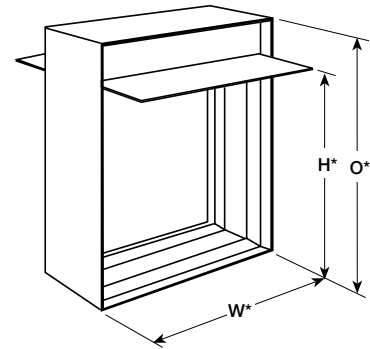
# SIZING DATA

# FD-M150 TYPE B

H*	O*
76	127
102	152
127	178
152	203
178	229
203	254
229	279
254	305
279	330
305	356
330	381
356	406
381	457
406	483
432	508
457	533
483	559
508	584
533	610
559	660
584	686
610	711
635	737
660	762
686	787
711	813
737	838
762	864
787	914
813	940
838	965
864	991
889	1016
914	1041

H*	O*
940	1067
965	1118
991	1143
1016	1168
1041	1194
1067	1219
1092	1245
1118	1245
1143	1245
1168	1270
1194	1295
1219	1321
1245	1346
1270	1372
1295	1397
1321	1422
1346	1448
1372	1473
1397	1499
1422	1524
1448	1549
1473	1575
1499	1600
1524	1626
1549	1651
1575	1676
1600	1702
1626	1727
1651	1778
1676	1803
1702	1829
1727	1854
1753	1880

Overall Damper Dimensions



\* These dimensions are furnished approximately 6mm undersize. (All 'H' dimensions larger than 1092mm are two sections high. The bottom section is a Type A and the top section is a Type B.)

# SIZING DATA

# FD-M150 TYPE R

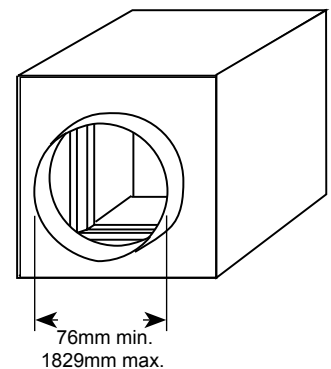
Dampers larger than maximum single section size are supplied as a factory assembly of two or more sections of equal size.

Transition is centered on damper frame (or frame assembly for multiple section dampers).

## SIZE LIMITATIONS

	Vertical	Horizontal
Minimum	76mm dia.	NA
Maximum	1829mm dia.	1168mm dia.

Maximum size based on 51mm offset.



No. 1188 Pengqing Road • Huaqiao Town • Kunshan, Jiangsu China 215332  
Tel: 86.512.5736-6666 • Fax: 86.512.5737-8633

Copyright © 2011 Greenheck Fan Corporation  
FD-M150 Rev 5 October 2011

