

#### APPLICATION

Model DFD-M350 is approved for use in walls, floors and partitions with fire resistance ratings of 3 hours or more. This model carries a 3 hour UL fire damper label. UL 555 classifies dynamic rated fire dampers for use in HVAC systems that are operational in the event of fire.

Model DFD-M350 meets the requirements for fire dampers established by:

**National Fire Protection Association**

(NFPA Standards 80, 90A & 101)

**Underwriters Laboratories Standard 555** (Listing #R-13317)

**IBC International Building Codes**

Construction	Standard	Optional
Frame Material	Galvanized Steel*	-
Frame Depth	94mm	-
Blade Material	Galvanized steel*	-
Closure Spring	Stainless Steel	-
Fusible Link	74°C	100°C or 141°C
Mounting	Vertical	Horizontal

\* in gauges required by UL listing R-13317

**“UL CLASSIFIED (see complete marking on product)”**

**“UL CLASSIFIED to Canadian safety standards (see complete marking on product)”**

Standard 555 (Listing #R13317)

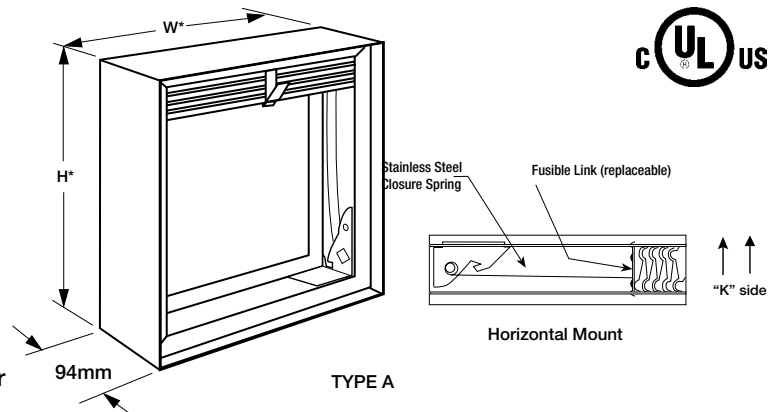


#### OPTIONAL FEATURES

- Sealed transitions and sleeves
- One piece retaining angles (POC)
- Transitions (B, B2, C, CO, CR, R)

#### INSTALLATION

All fire damper installations require the use of sleeves, angles and methods described in Greenheck Fire Damper Installation Instructions #464089, included with every damper shipment. Sleeves can be field fabricated or factory furnished as a complete damper/sleeve assembly. See Factory Sleeve Option below for details.

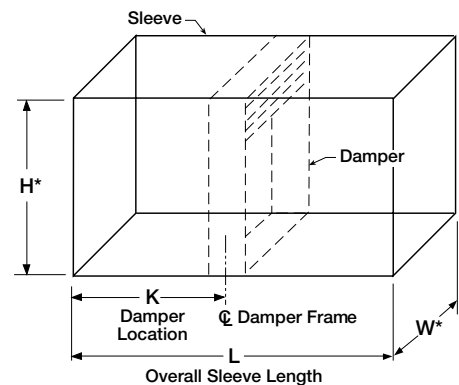


\* These dimensions are furnished approximately 6mm undersize.

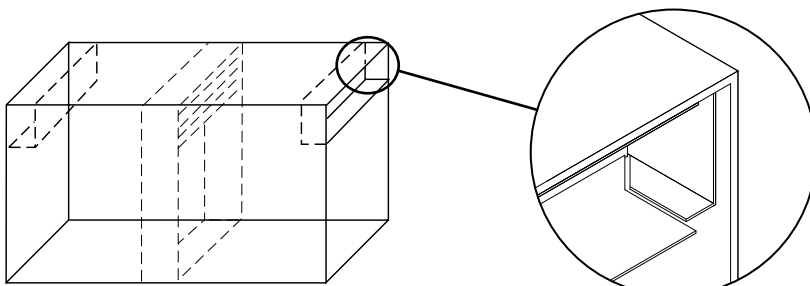
#### FACTORY SLEEVE OPTION

DFD-350 Fire Dampers are available in factory furnished sleeves. Sleeves are galvanized steel and are available in 1.0mm - 1.5mm thicknesses and lengths up to 914mm.

“K” dimension specifies location of damper within the sleeve. Minimum is 102mm, maximum is “L” less 102mm, which allows for mounting angle installation and duct connection at each end of sleeve. If “K” dimension is not specified, it will be provided as one half of “L” dimension (damper centered in sleeve).



When sealed option is selected, B transitions will need to be field sealed in the area where duct to sleeve connection is made.



Type B with sleeve

Type B corner profile

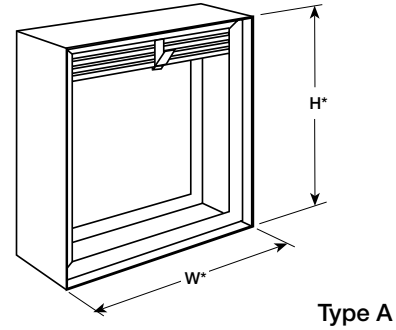
## DFD-M350 Type A

Dampers larger than maximum single section size are supplied in 2 or more sections of equal size. If ordered with a factory sleeve, multi-section dampers are factory assembled ready for installation. If ordered without a factory sleeve, multi-section dampers require field assembly. (See Greenheck Fire Damper Installation Instructions #464089)

The following chart and illustrations show minimum and maximum damper section size and assembly configurations for multi-section dampers.

### Size Limitations

Inches (mm)	Type A		Type B	
	Minimum	Maximum	Minimum	Maximum
Single Section Vertical	102 x 102	914 x 914	102 x 76	914 x 787
Multi Section** Vertical	NA	1219 x 1219	NA	1219 x 1143
Single Section Horizontal	102 x 102	762 x 762	102 x 76	762 x 762
Multi Section** Horizontal	NA	1016 x 914	NA	1016 x 838

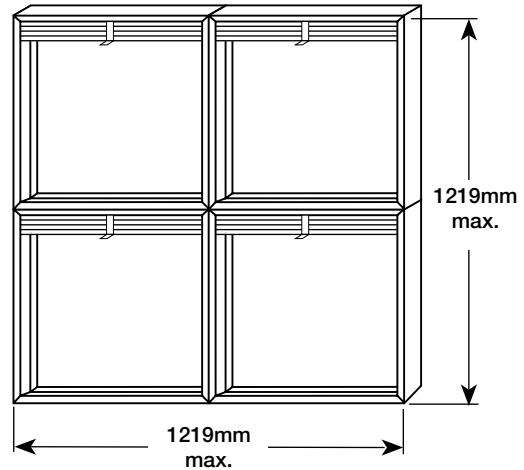
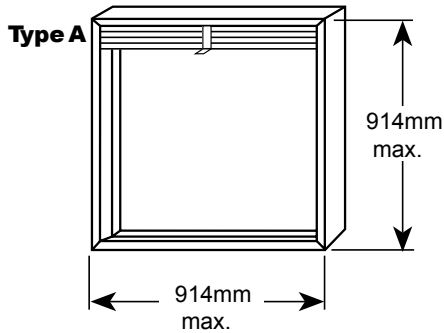


\*\*Consult factory for number of sections.

### ② Multi-Section Limitations

Maximum damper height is 1219mm when combination width is 48 in. 1219mm or less.

#### Maximum Single Section Dimensions

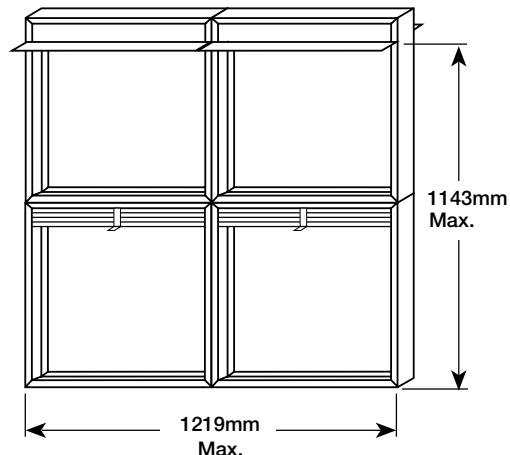
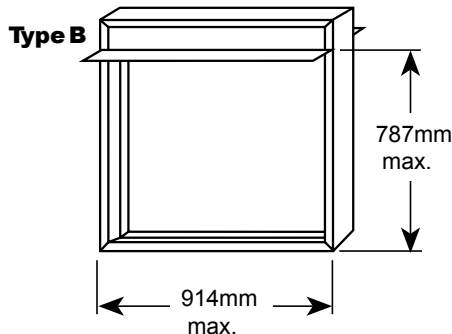


## DFD-M350 Type B

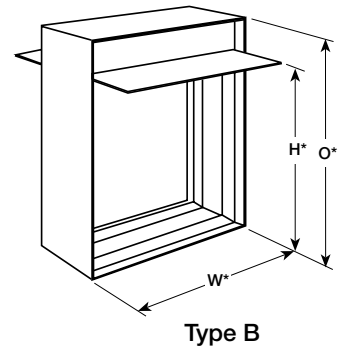
Dampers larger than maximum single section size are supplied in 2 or more sections of equal size. *Note: All multiple section dampers with transitions, will include a factory installed sleeve.*

### Multi Section Limitations

Maximum damper height is 1143mm when combination width is 1219mm or less.



**Overall Damper Dimensions**



**Vertical Mount**

H*	O*	H*	O*
76	127	635	737
102	152	660	762
127	178	686	787
152	203	711	813
178	229	737	838
203	254	762	864
229	279	787	914
254	305	813	940
279	330	838	940
305	356	864	940
330	381	889	965
356	406	914	991
381	457	940	1016
406	483	965	1041
432	508	991	1067
457	533	1016	1092
483	559	1041	1118
508	584	1067	1143
533	610	1092	1168
559	660	1118	1194
584	686	1143	1219
610	711		

**Horizontal Mount**

H*	O*	H*	O*
76	127	483	559
102	152	508	584
127	178	533	610
152	203	559	660
178	229	584	686
203	254	610	711
229	279	635	737
254	305	660	762
279	330	686	787
305	356	711	787
330	381	737	813
356	406	762	838
381	457	787	864
406	483	813	889
432	508	838	914
457	533		

\* These dimensions are furnished approximately 6mm undersize. (Dimensions in mm)

**DFD-M350 Type R**

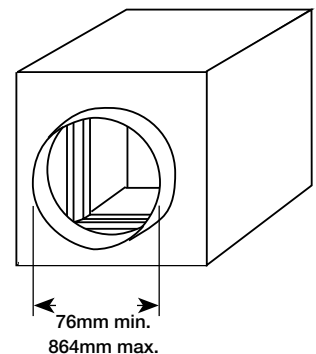
**Sizing and Assembly Data**

Dampers larger than maximum single section size are supplied as a factory assembly of two or more sections of equal size.

Transition is centered on damper frame (or frame assembly for multiple section dampers).

**SIZE LIMITATIONS**

	Vertical or Horizontal
Minimum	76mm diameter
Maximum	864mm diameter



No. 1188 Pengqing Road • Huaqiao Town • Kunshan, Jiangsu China 215332  
Tel: 86.512.5736-6666 • Fax: 86.512.5737-8633