

Dynamic Rated Fire Dampers

1 1/2 Hour Fire Resistance Rating (UL555)

4 Hour Fire Resistance Rating (BS476)

APPLICATION

Model DFD-M150 is approved for use in walls, floors and partitions with fire resistance ratings less than 3 hours. This model carries a 1 1/2 hour UL fire damper label. UL 555 classifies dynamic rated fire dampers for use in HVAC systems that are operational in the event of fire.

Model DFD-M150 has also been tested in accordance with BS476 to 4 hours at Warrington Fire, UK, and is approved for fire partitions of 4 hours or less where British Standards are required.

Construction	Standard	Optional
Frame Material	Galvanized Steel*	-
Frame Depth	94mm	-
Blade Material	Galvanized steel*	-
Closure Spring	Stainless Steel	-
Fusible Link	74°C	100°C or 141°C ; 69°C for BS476
Mounting	Vertical	Horizontal

* in gauges required by UL listing R-13317

Model DFD-M150 meets the requirements for fire dampers established by:

National Fire Protection Association
(NFPA Standards 80, 90A & 101)

Underwriters Laboratories Standard 555 (Listing #R-13317)

IBC International Building Codes

British Standard BS476

Tested to 4 hours at Warrington Fire, UK

"UL CLASSIFIED (see complete marking on product)"
"UL CLASSIFIED to Canadian safety standards (see complete marking on product)"
Standard 555 (Listing #R13317)



OPTIONAL FEATURES

- Sealed transitions and sleeves
- One piece retaining angles (POC)
- Transitions (B, R)

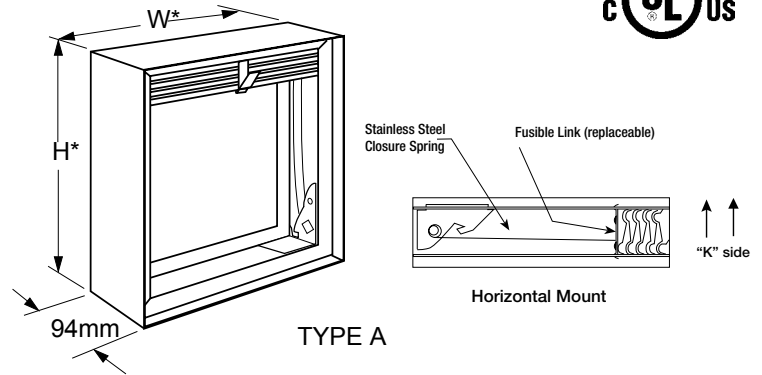
INSTALLATION

All fire damper installations require the use of sleeves, angles and methods described in Greenheck Fire Damper Installation Instructions #464089, included with every damper shipment. Sleeves can be field fabricated or factory furnished as a complete damper/sleeve assembly. See Factory Sleeve Option below for details.

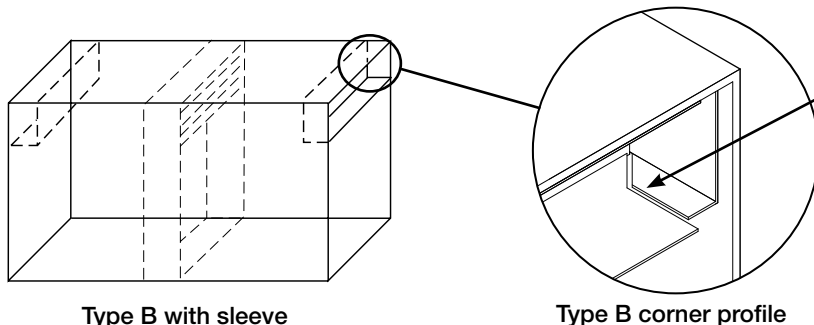
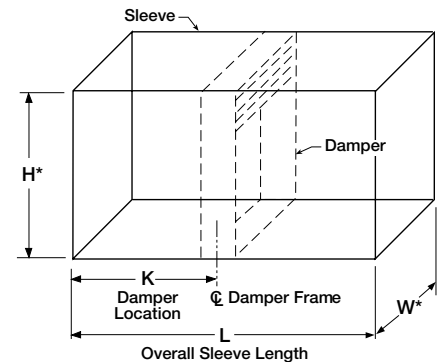
FACTORY SLEEVE OPTION

DFD-350 Fire Dampers are available in factory furnished sleeves. Sleeves are galvanized steel and are available in 1.0mm - 1.5mm thicknesses and lengths up to 914mm.

"K" dimension specifies location of damper within the sleeve. Minimum is 102mm, maximum is "L" less 102mm, which allows for mounting angle installation and duct connection at each end of sleeve. If "K" dimension is not specified, it will be provided as one half of "L" dimension (damper centered in sleeve).



* These dimensions are furnished approximately 6mm undersize.



When sealed option is selected, B transitions will need to be field sealed in the area where duct to sleeve connection is made.

DFD-M150 Type A

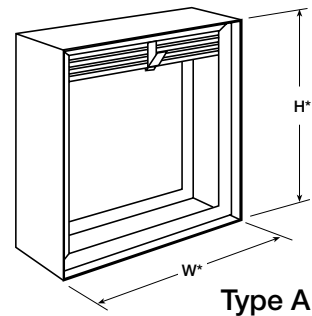
SIZING AND ASSEMBLY DATA

Dampers larger than maximum single section size are supplied in 2 or more sections of equal size. If ordered with a factory sleeve, multi-section dampers are factory assembled ready for installation. If ordered without a factory sleeve, multi-section dampers require field assembly. (See Greenheck Fire Damper Installation Instructions #464089)

The following chart and illustrations show minimum and maximum damper section size and assembly configurations for multi-section dampers.

SIZE LIMITATIONS

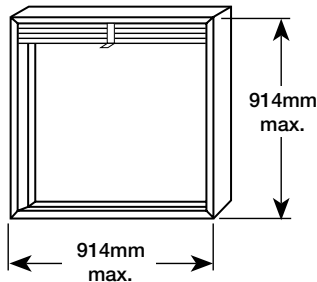
Inches (mm)	Type A		Type B	
	Minimum	Maximum	Minimum	Maximum
Single Section Vertical	102 x 102	914 x 914	102 x 76	914 x 787
Multi Section** Vertical	NA	1829 x 1219 or 1524 x 1524	NA	1829 x 1143 or 1524 x 1422
Single Section Horizontal	102 x 102	762 x 762	102 x 76	762 x 762
Multi Section** Horizontal	NA	1219 x 914	NA	1219 x 838



**Consult factory for number of sections.

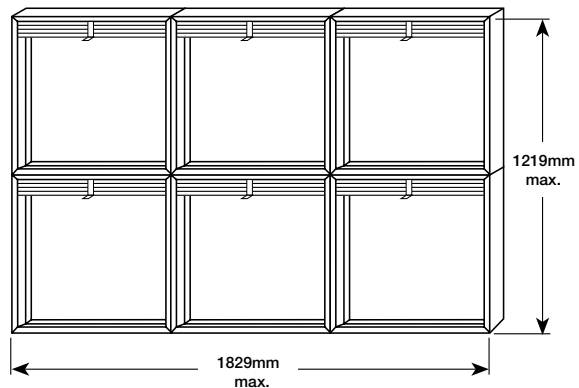
Installation of sizes larger than the maximums shown requires approval of the authority having jurisdiction.

① Maximum Single Section Dimensions - Type A



② Multi-Section Limitations

Maximum damper height is 1219mm when combination width is 1829mm or less.

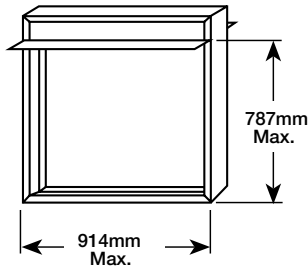


DFD-150 Type B

Dampers larger than maximum single section size are supplied in 2 or more sections of equal size. *Note: All multiple section dampers with transitions, will include a factory installed sleeve.*

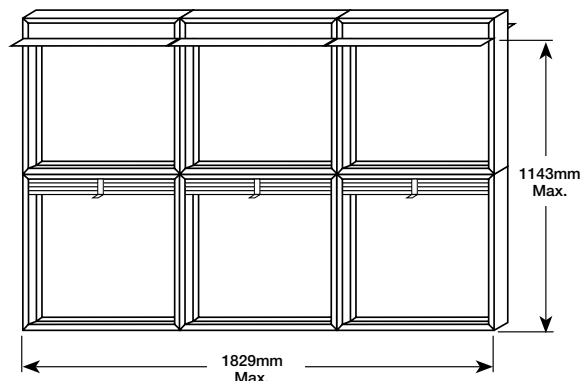
The following chart shows minimum and maximum damper sizes. Dimensions are in inches (mm in parentheses).

① Maximum Single Section Dimensions - Type B



② Multi Section Limitations

Maximum damper height is 1143mm when combination width is 1829mm or less.

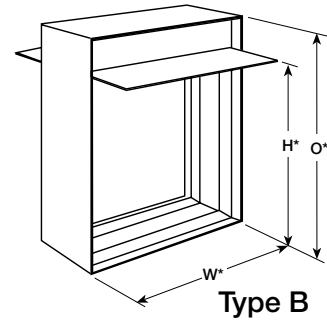


DFD-M150 Type B

Overall Damper Dimensions

Vertical Mount

H*	O*	H*	O*
76	127	762	864
102	152	787	914
127	178	813	940
152	203	838	940
178	229	864	940
203	254	889	965
229	279	914	991
254	305	940	1016
279	330	965	1041
305	356	991	1067
330	381	1016	1092
356	406	1041	1118
381	457	1067	1143
406	483	1092	1168
432	508	1118	1194
457	533	1143	1219
483	559	1168	1270
508	584	1194	1295
533	610	1219	1321
559	660	1245	1346
584	686	1270	1372
610	711	1295	1397
635	737	1321	1422
660	762	1346	1448
686	787	1372	1473
711	813	1397	1499
737	838	1422	1524



Horizontal Mount

H*	O*	H*	O*
76	127	483	559
102	152	508	584
127	178	533	610
152	203	559	660
178	229	584	686
203	254	610	711
229	279	635	737
254	305	660	762
279	330	686	787
305	356	711	787
330	381	737	813
356	406	762	838
381	457	787	864
406	483	813	889
432	508	838	914
457	533	-	-

* These dimensions are furnished approximately 6mm undersize. (Dimension in mm)

DFD-M150 Type R

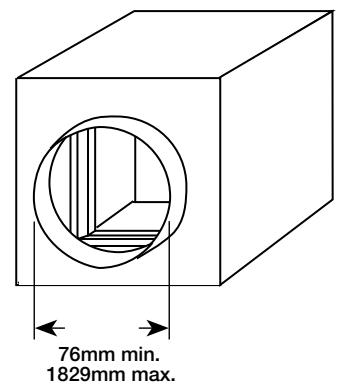
Sizing and Assembly Data

Dampers larger than maximum single section size are supplied as a factory assembly of two or more sections of equal size.

Transition is centered on damper frame (or frame assembly for multiple section dampers).

SIZE LIMITATIONS

	Vertical	Horizontal
Minimum	76mm dia.	NA
Maximum	1473mm dia.	864mm dia.



No. 1188 Pengqing Road • Huaqiao Town • Kunshan, Jiangsu China 215332
Tel: 86.512.5736-6666 • Fax: 86.512.5737-8633

Copyright © 2011 Greenheck Fan Corporation
DFD-M150 Rev. 7 Oct 2011